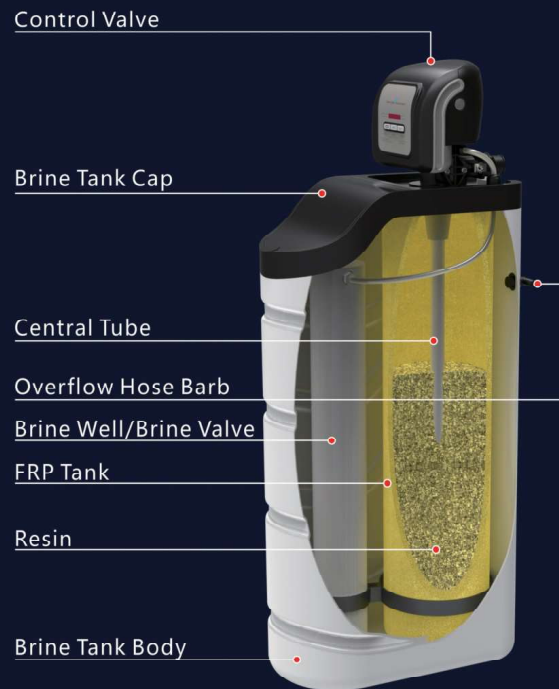


Features

- 🔥 Stylish, Unique design.
- 🔥 Easy assemble and installation, can be installed in any area.
- 🔥 Available in 6 sizes, the cabinets are designed to fit 17", 24" and 35" tall FRP Tanks.
- 🔥 Automatically regenerate by meter delayed type control Valve.
- 🔥 Energy and running cost saving, reliable and stable soften capacity, no need to changemedia frequently.
- 🔥 Unique designed control panel, LED panel can display the status of operation and regeneration.



CABINETS



 SHANGHAI HANTECH CO.,LTD Your best supplier for water treatment components and systems

www.hantech.com.cn

TEL:+86-21-57325533

FAX:+86-21-57333421

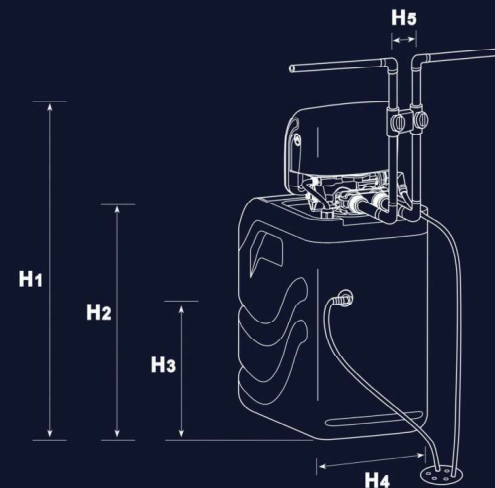
ADD:NO.388 Xianju Roud Zhujing Jinshan
Shanghai 201500

E-mail:sales@hantech.com.cn


WATER GARDEN

Specifications

Order Number	WG-SFT-0817	WG-SFT-1017	WG-SFT-0824	WG-SFT-1024	WG-SFT-0835	WG-SFT-1035
Inflow Raw Water	Municipal Water					
Operation Water Pressure	0.15~0.35 Mpa(1.5Bar~3.5Bar)					
Water Temperature	2~40 °C					
Inlet & Outlet Size	1"					
Drain Size	1/2"					
Power Supply	220V/50hz					
Max. Water Flow	≅ 1.2T/H	≅ 1.5T/H	≅ 1.8T/H	≅ 2.0T/H	≅ 2.0T/H	≅ 2.5T/H
Resin Capacity	7L	10.5L	11L	16L	16L	26L
Salt Capacity*	11kg	20kg	18kg	30kg	29kg	49kg
Dimension / mm(L*W*H)	460*263*657	583*331*657	460*263*835	583*331*835	460*263*1117	583*331*1117
Packing Size / mm(L*W*H)	527*328*710	650*396*710	527*328*890	650*396*890	527*328*1170	650*396*1170
Net Weight(Exclude Salt)	15kg	19kg	19kg	25kg	27kg	37kg
Gross Weight	19kg	24kg	25kg	32kg	34kg	45kg



	Units:cm				
	H1	H2	H3	H4	H5
0817	660	470	290	263	51.4
0824	660	470	290	331	51.4
0835	840	650	450	263	51.4
1017	840	650	450	331	51.4
1024	1120	930	720	263	51.4
1035	1120	930	720	331	51.4